

CS系列圆锥破碎机

CS Series Cone Crusher



破碎力大、效率高、处理量高、运作成本低、调整方便、使用经济等

High crushing ratio, high handling capacity, low operation cost, high efficiency,

产品简介

Brief Introduction

适用范围

Application

CS系列高效圆锥破碎机是上海山启在引进、吸收国内外先进技术的基础上，根据客户的需求，基于层压破碎原理及多破少磨概念设计研发的集高摆频、优化腔型和合理冲程于一体的现代高性能弹簧圆锥破碎机。该机独特的性能优点使其不仅能够碎石，还能在一定程度上制砂，真正做到了抗磨损与出料细的完美结合，是当今大型石料厂和矿业破碎的最理想设备之一。该系列圆锥破碎机一般从事第二或第三阶段的破碎，尤其是对于中等硬度以上的物料更具有明显的破碎功效。该机不仅破碎比大，而且具有处理量大、运营成本低、工作效率高、调整方便等优点，实践证明，CS系列高效圆锥破碎机以其优异的性能、可靠的质量和高性价比赢得了全球用户的信任，是传统圆锥破碎机的理想替代产品。

CS series cone crusher is the modern high efficiency production with collection of high swinging frequency, optimized chamber type and rational stroke, combining absorption of advanced technology at home and abroad with customers' specific demands, which is created based on the principle of laminated crushing and more crushing. With its unique characters CS series cone crusher can not only crush stones but also make sand to some extent, achieving the perfect combination of anti-fraying with fine discharge, all of these make it be one of the ideal equipment used in large quarry and mining crushing industry nowadays. The CS series cone crusher is generally used in the secondary or third crushing, with especial effect for crushing the material of at least medium hardness. It has many advantages like high crushing ratio, high handling capacity, low operation cost, high efficiency, and easy adjustment. It has been found that the CS series cone crusher wins the reliance of all customers by its superior performance, reliable quality and high cost performance, and it is the ideal substitute of traditional cone crusher.

CS高效圆锥破，可广泛应用于金属与非金属矿、水泥厂、建筑、砂石冶金等行业。适用于破碎铁矿石、有色金属矿石、花岗岩、石灰石、石英岩、沙岩、鹅卵石等。

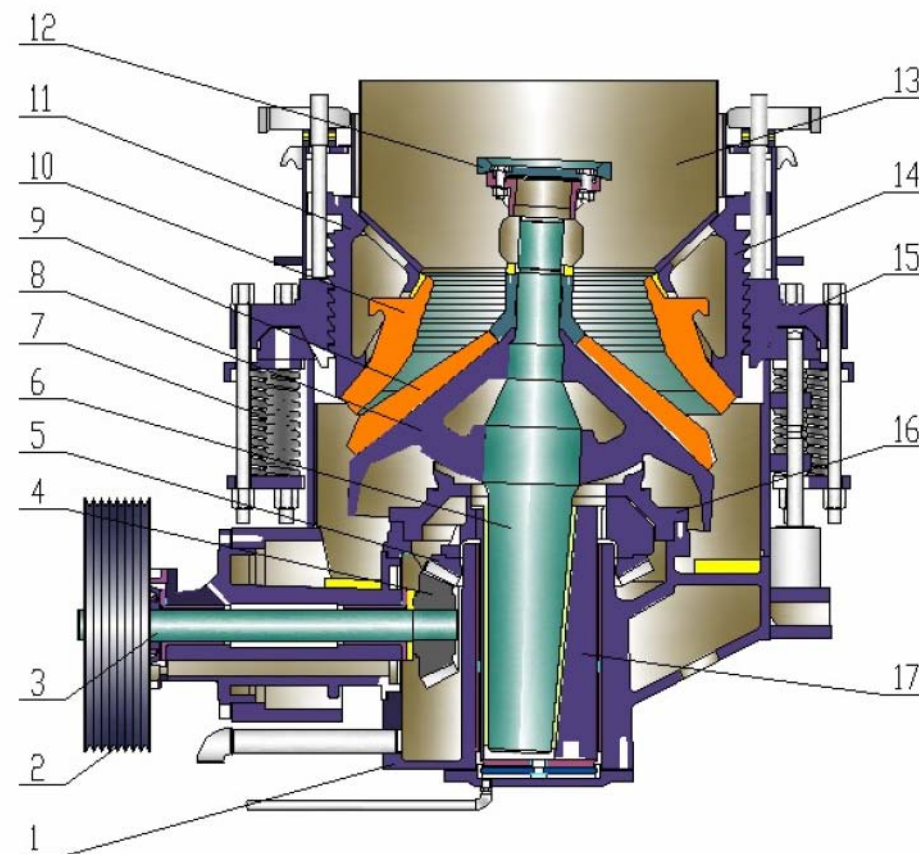
CS series cone crusher can be widely used in industries of ores mining, cement, construction, sand making and metallurgy, etc. It can crush iron ore, non-ferrous metal ore, granite and limestone, quartzite, sandstone, pebbles, etc.



产品结构图
Structure

CS高效弹簧圆锥破碎机，主要由机架、定锥总成、动锥总成、弹簧机构、碗型轴架部以及传动等部分组成。其辅助部分，由电气系统、稀油润滑系统、以及液压清腔系统组成。如图所示，定锥总成主要有调整套、轧臼壁等组成，动锥总成主要由主轴、动锥体、破碎壁等组成，传动部分主要由大带轮、传动轴、小锥齿轮、大锥齿轮等组成。

The CS series cone crusher mainly consists of frame, fixed cone assembly, movable cone assembly, spring organization, bowl liner and transmission parts. The accessory devices are electrical system and thin oil lubrication system and hydraulic chamber. As shown in the following figure, the fixed cone assembly consists of adjustment bush, rolling mortar wall etc. The movable cone assembly consists of main shaft, movable cone and crushing wall etc. Transmission consists of big belt wheel, transmission shaft, small bevel gear, big bevel gear etc.



- | | | | | | | |
|----------|------------------|--------------------|--------------------------------|----------------|-------------------|-----------------|
| 1.机架 | 2.大带轮 | 3.传动轴 | 4.小锥齿轮 | 5.大锥齿轮 | 6.主轴 | 7.弹簧机构 |
| 8.躯体 | 9.破碎壁 | 10.轧臼壁 | 11.调整套 | 12.粉料盘 | 13.进料斗 | 14.调整环 |
| 1. Frame | 2.Big belt wheel | 3.Counter shaft | 4.Pinion | 5.Gear | 6.Main shaft | 7.Spring device |
| 8.Mantle | 9. Bowl Liner | 11.Adjustment bush | 12.Material distributing plate | 13.Feed hopper | 14.Adjusting ring | |

工作原理 Working Principle

CS圆锥破碎机工作时，由电动机通过三角带、大带轮、传动轴、小锥齿轮、大锥齿轮带动偏心套旋转，破碎圆锥轴线在偏心轴套的迫动下做旋转摆动，使得破碎壁表面时而靠近又时而离开轧臼壁的表面，从而使物料在定锥与动锥组成的环形破碎腔内不断地受到冲击、挤压和弯曲而破碎。经过多次挤压、冲击和弯曲后，物料破碎至要求粒度，经下部排出。

When CS series cone crusher is working, the motor drives the eccentric ring spin through V-belt, big belt wheel, transmission shaft, big bevel gear and small bevel gear. The crushing cone spins by the force of eccentric ring, which makes the crushing wall approach and leave rolling mortar wall to and fro, so the materials get impacted and broken in the crushing chamber formed by fixed cone and movable cone. The materials were discharged from the bottom after several times' break until they get the required grade.



性能特点

Features

CS高效圆锥破碎机是我公司在引进、吸收国外技术的基础上，根据客户的需求，基于层压破碎原理及多破少磨概念设计研发的集高摆频、优化腔型和合理冲程于一体的现代高性能破碎机。

1、性能高

通过腔型优化设计以及采用合理速度与冲程相结合，从而使该机型在相同动锥直径的情况下做功最多。因此，与同类型的圆锥破碎机相比，具有更高的性能和生产能力。

2、稳定性好

当有铁块等破碎物进入机内时，过铁保护装置会自动将其释放，然后自动复位。过铁保护具有固定的排料口返回点，杂铁通过破碎腔后，能够迅速恢复原有的排料口。

3、清腔方便

如果破碎机在负荷状态下停机，液压清腔系统可迅速清理破碎腔，大大减少了停机时间。

4、可靠性高

采用大直径主轴、重型化主机架以及独立的稀油润滑系统的自动控制系统，保证了设备坚固耐用，运行可靠。

5、维修方便易于操作

所有的部件均能够从上部或侧面拆装，从而定锥和动锥总成均可方便拆出。青铜滑动轴承在高冲击震动破碎环境中能够保持优异的承载性能，并且比滚动轴承更经济、维修更方便。



6、生产成本低

由于生产能力大，可靠性高，维修方便，大大降低了生产成本。

7、应用广泛

CS高效圆锥破碎机的特点在于使破碎机发挥出最大性能以适用于各种破碎工艺：从粗碎到细碎，从固定式破碎到移动式破碎站。CS系列高效圆锥破碎机从特粗碎到细碎有各种腔型可供选择，因此可根据破碎工艺流程选择破碎腔型。

8、分体润滑

多点控制的独立稀油润滑系统，可确保该机型轴承润滑的双重保护，以及可实现整机自动安全保护。

性能特点

Features

CS series cone crusher is the modern high efficiency production with collection of high swinging frequency, optimized chamber type and rational stroke, combining absorption of advanced technology at home and abroad with customers' specific demands, which is created based on the principle of laminated crushing and more crushing.

1.High Performance

Through optimized design of the chamber and the combination of reasonable speed and stroke, CS series cone crusher can produce more with the same movable cone diameter. Therefore, compared with the same type cone crusher, it has better performance and higher production capacity.

2.High Stability

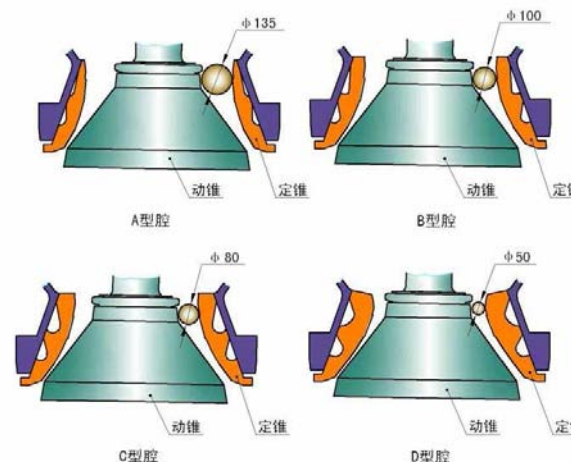
If iron or some other things can not be crushed get into the chamber, the protection device will discharge it automatically, then resets. This protection device has fixed return point of discharge opening, which guarantees discharge opening get back to the correct position after iron gets through the chamber.

3.Convenient to Clean Chamber

If the crusher stops working during loading process, hydraulic chamber cleaning system can discharge the materials rapidly, greatly decreases the downtime.

4.High Reliability

Adoption of large diameter main cone, heavy mainframe and independent thin oil lubrication system makes the crusher durable and reliable.



5.Easy to Fix and Operate

All of the parts are easy to assemble and disassemble from top or lateral side, so fixed cone and movable cone can be disassembled easily. Bronze sliding bearing has good load capacity in breaking and vibrating situation, besides, it is cheaper and easier to fix than rolling bearing.

6.Low Producing Cost

For high producing capacity, high reliability and convenience to fix, the operation costs were decreased greatly.

7.Wide Application

The character of CS series cone crusher makes crushers playing their maximum performance for applying to all kinds of crushing process: from primary crushing to finely crushing, from fixed crushing to the mobile crushing station. The CS series cone crusher has wide ranges of crushing chambers, so customers can choose the different chambers based on their different request.

8.Individual lubrication

Thin oil lubrication can protect the bearing very well and achieve the automatic protection.

产品规格

Specification

规格 Specification	型号 Model	腔型 Cavity type	排料口调节范围 Discharge size	最大给料尺寸 Max. feeding size	处理能力 Capacity	电机功率 Motor power	外形尺寸 (长×宽×高) Dimension (L* W *H)
CS-75	CSC-75	标准粗型 Standard coarse type	13-38	175	59-163	75	2656×1636×2241
	CSB-75	标准中型 Standard medium type	9-22	102	45-91		
	CSD-75	短头中型 Short head medium type	3-13	41	27-90		
CS-110	CSC-110	标准粗型 Standard coarse type	13-38	160	70-215	110	2290×1530×2036
	CSB-110	标准中型 Standard medium type	10-25	115	55-135		
	CSD-110	短头中型 Short head medium type	6-19	80	47-90		
CS-130	CSC-130	标准粗型 Standard coarse type	13-38	180	105-220	132	2630×1760×2212
	CSB-130	标准中型 Standard medium type	10-25	130	72-170		
	CSD-130	短头中型 Short head medium type	10-19	90	70-125		
CS-160	CSC-160	标准粗型 Standard coarse type	16-51	200	135-350	160	2860×2070×2623
	CSB-160	标准中型 Standard medium type	13-25	150	105-180		
	CSD-160	短头中型 Short head medium type	10-19	102	80-140		
CS-200	CSC-200	标准粗型 Standard coarse type	19-51	215	200-440	200	2830×2200×2783
	CSB-200	标准中型 Standard medium type	16-25	160	160-230		
	CSD-200	短头中型 Short head medium type	13-22	115	150-240		
CS-220	CSC-220	标准粗型 Standard coarse type	19-64	235	230-570	220	3360×2650×3050
	CSB-220	标准中型 Standard medium type	19-38	175	215-330		
	CSD-220	短头中型 Short head medium type	13-25	130	180-285		
CS-240	CSC-240	标准粗型 Standard coarse type	22-64	267	330-725	250	3580×2860×3680
	CSB-240	标准中型 Standard medium type	16-25	203	240-330		
	CSD-240	短头中型 Short head medium type	10-19	140	190-330		
CS-360	CSC-240	标准粗型 Standard coarse type	25-76	303	608-998	360	5110×4270×4350
	CSB-240	标准中型 Standard medium type	31-89	334	789-1270		
	CSD-240	短头中型 Short head medium type	10-29	150	352-617		

发货现场
Delivery site

生产现场
Products on site



生产现场
Products on site



企业介绍

Enterprise Introduction

上海山启机械制造有限公司是中国知名的破碎筛分设备制造商。我们为客户提供全系列破碎筛分设备，包括圆锥破碎机、颚式破碎机、反击式破碎机、立轴冲击破碎机(制砂机)、移动式破碎站和振动筛，我们不仅为客户提供高性价比的产品，还提供一流的服务支持及解决方案。我们的破碎设备在大量的基础建设工程中得到应用，另外，成套设备已出口到俄罗斯、蒙古、中亚、非洲等国家和地区。

公司拥有多名国内破碎筛分的专家，具有强大的新产品研发能力。公司非常重视国际技术交流与合作，先后引进了美国、德国、澳大利亚等国家的先进技术和工艺，拥有生产设备百余台套。时刻关注新产品、新技术的研发，并成立了砂石机器和选矿设备的研究室。



■ ■ 企业介绍
■ ■ Enterprise Introduction

山启机械 ■ ■
Shunky Machinery ■ ■

Shanghai Shunky Machinery Co. Ltd is a famous manufacturer of crushing and screening equipments in China. We provide our customers complete crushing plant, including cone crusher, jaw crusher, impact crusher, VSI sand making machine, mobile crusher and vibrating screen. What we provide is not just the high value-added products, but also the first class service team and problems solution suggestions. Our crushers are widely used in the fundamental construction projects. The complete crushing plants are exported to Russia, Mongolia, middle Asia, Africa and other regions around the world. We have many crusher experts who are capable of new products searching and developing. We pay high attention on the international communication and cooperation and introduced advanced technology from Germany, America and Australia these years. We also have built research room in our company.



专业精神打造臻品·山启机械引领全球

PRODUCE PERFECT PRODUCTS SHUNKY MACHINERY TAKES THE LEAD IN THE WORLD