

# 上海山启SKH圆锥破碎机

## SKH Series Hydraulic Cone Crusher



最佳的腔型设计和可调节的冲程、先进的自动化控制装置  
维修简便 操作方便 适应性更广

The best cavity design and adjustable stroke、The advanced automatic control device  
Simple maintenance、convenient in operation、full process adaptability

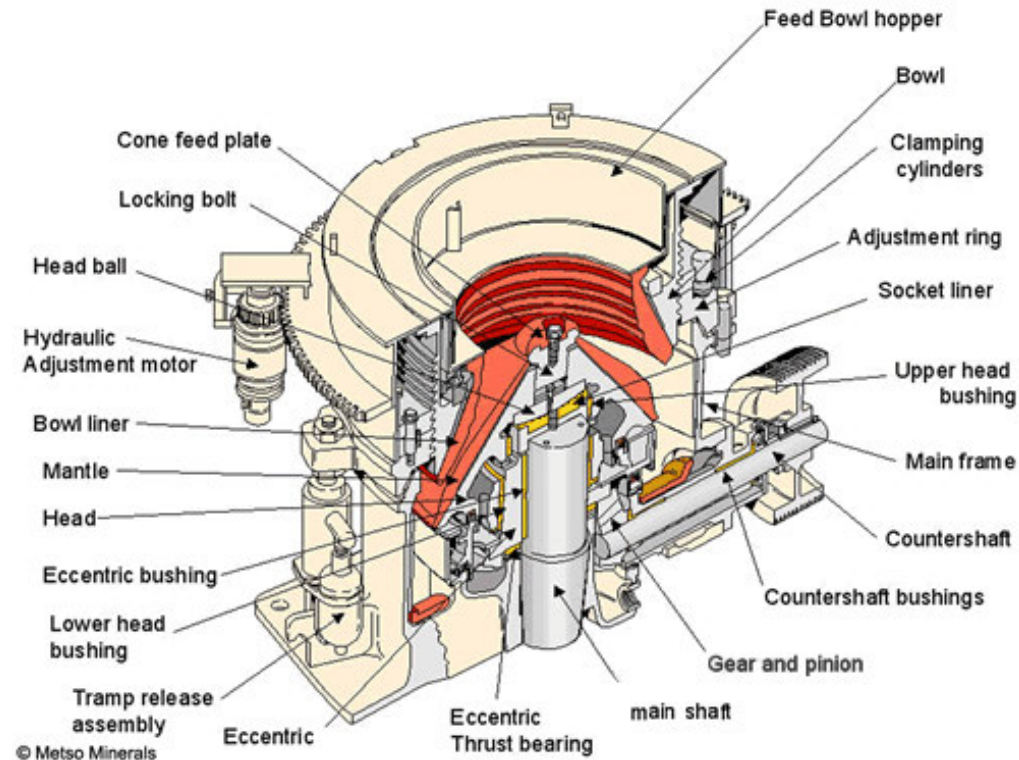
## 产品简介 Product Introduction

SKH系列液压圆锥破碎机吸收了当今世界先进破碎技术研制出的具有先进水平的圆锥破碎机，广泛应用于冶金、建筑、水电、交通、化工、建材工业中，适合破碎坚硬、中等硬度以上的各种矿石和岩石。SKH系列液压圆锥破碎机是高性能圆锥破碎机，在设计中将转速、冲程以及破碎腔型进行了优化组合，使其实现了粒间层压破碎，显著提高了产量，产品形状也大为改善。

SKH Series Hydraulic Cone Crusher is manufactured and designed through absorbing the latest world advanced technology and gets to be world advanced level. It is widely used in the fields of metallurgy, construction, hydroelectric project, transport, chemical industries and building materials for crushing all sorts of hard and above medium hard ores and rocks. SKH Series Hydraulic Cone Crusher has high performance, optimized design of stroke, rotate speed and crushing cavity achieves the effect of grinding, which increases the productivity and improves product shape. SMH Series Hydraulic Cone Crusher possesses greater superiority than ordinary ones.



主要结构  
Main Structure



Cone feed plate:分料盘 Locking bolt:锁紧螺帽 Head ball:球面支撑  
Hydraulic adjustment motor:液压调整电机 Bowl liner: 扎臼壁 Mantle : 破碎壁  
Head:锥体 Eccentric bushing:铜套 Lower head bushing:底部铜套 Tramp release  
assembly:蓄能器 Eccentric : 偏心套 Eccentric Thrust bearing:推力轴承 Main Shaft:  
主轴 Gear and pinion:大小齿轮Countershaft bushings: 传动轴套 Countershaft: 传动轴  
Main frame:机架 Upper head bushing:顶部铜套(支撑) Socket liner: 碗型瓦  
Adjustment ring:调整环 Clamping cylinder:锁紧缸 Bowl:支撑套 Feed bowl  
hopper:入料斗

工作原理  
Working Principle

工作时，电动机的旋转通过皮带轮或联轴器、圆锥破碎机传动轴和圆锥破碎机圆锥部在偏心套的迫动下绕一周固定点作旋摆运动。从而使破碎圆锥的破碎壁时而靠近又时而离开固装在调整套上的扎臼壁表面，使矿石在破碎腔内不断受到冲击，挤压和弯曲作用而实现矿石的破碎。

When SKH-C series cone crusher is working, the motor drives the crushing cone spinning through V-belt, linkage shaft device, and transmission shaft, which makes the crushing wall approach and leave rolling mortar wall to and fro, so the materials get impacted and broken in the crushing chamber. The materials are discharged from the bottom after several times' break until they get the required grade.

性能特点  
Features

1.最佳的腔型设计和可调节的冲程

The best cavity design and adjustable stroke

上海山启SKH圆锥破碎机可根据不同的物料粒度大小调整适用的腔型，同一台圆锥破碎机可用于生产破碎过程中的第二段、第三段、第四段，可生产出不同尺寸的成品，满足客户的不同需求。

通过更换破碎机的冲程，可以有效控制物料的通过量，以便使其与其它破碎设备的运转相协调，既不短料又不会塞机卡壳，帮您获得最佳的给料条件设置，确保最终产品产量最大化。

SKH cone crushers can be easily adjusted for different production requirements. With a wide selection of cavities, the same crusher can be used in 2nd, 3rd or 4th

## 性能特点 Features

crushing stages, producing different end product sizes, and meets the different demands of customers.

The stroke change feature allows crusher through-put to be easily adjusted to work in harmony with the rest of the crushing plant. The adjustable stroke also allows you to attain proper choke feed conditions and optimum crusher settings, ensuring the maximum yield of a required end product size.

### 2.先进的自动化控制装置

#### The advanced automatic control device

山启采用了IC50控制加电子触摸屏的自动控制盘形式，IC50自动化系统提供了适用于各种生产要求的多种控制模式。为了获得稳定的产量，机器可以在固定的设置下运行。为补偿磨损量，自动化系统可以自动调节紧边排料口的设置，以保证始终使用最佳设置。如果需要将还原工作最大化，IC50自动化系统可以自动并持续地调节设置，使驱动功率和破碎力保持在所需的水平。

Shunky adopts the form of IC50 automation system with electronic touch screen of automatic control plate. The IC50 automation system offers a variety of control modes for various production requirements. Machines can operate with a fixed setting to achieve constant output gradation. The automation system can also automatically adjust the closed side setting to compensate the wear under load, ensuring that the optimum setting is always used.



If reduction work needs to be maximized, the IC50 automation system can

automatically and continuously adjust the setting to keep power draw and crushing force at the desired levels.

### 3.最新科学制造的零部件

SKH圆锥破碎机与同类产品相比，性能更可靠、操作更安全，这归功于采用了品质一流的钢材。在条件苛刻的破碎作业应用中，对锰钢及冶金复合材料的不懈研究和开发，保证了SKC-H圆锥破碎机的运行可靠性。



The reliability and safe operation of the SKH cone crushers are the result, among other things, of their high quality steel. Their reliability in demanding crushing applications and on-going development projects involving manganese materials and metallurgical compounds.

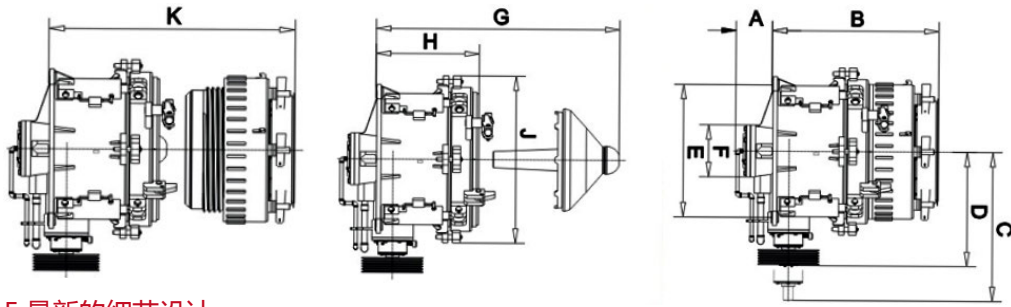
### 4.维修简便、操作使用方便

#### Simple maintenance and convenient in operation

SKH圆锥破碎机所有零件都可以从顶部或侧面拆装和维护，动锥和定锥拆装方便，无需拆装机架、紧固螺栓，因而SKH圆锥破碎机日常更换衬板更便捷。利用液压马达，使破碎机生产效率最佳。

All parts of SKH cone crushers can be assembled, disassembled and repaired from the top and side parts, including the fixed cone and movable cone. It is no need to disassembled and install the frame, and fasten bolts, so SKH cone crusher is much more convenient and fast for replacing liner plates. The crusher production efficiency will be much better by using the hydraulic motor.

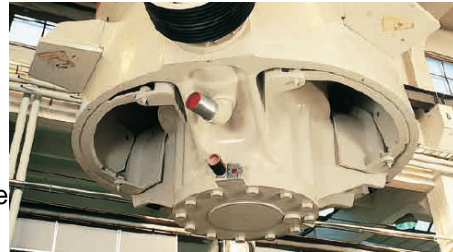
性能特点  
Features



5.最新的细节设计

Latest detailed design

山启不断进行破碎技术及设备的研究和开发，利用简单的浮轴设计概念以保证设备的可靠性。Shunqi continual to research and develop the crushing technology and equipment, uses the simple floating shaft design concept to ensure reliability of equipment, and adopts the super large diameter spindle and heavy-duty main frame to make equipment more strong and durable.



6.适应性更广

Full process adaptability

山启SKH圆锥破碎机的设计特点在于使破碎机发挥出最大性能以适用于各种破碎工艺：从中碎到超细碎、从固定式破碎厂到全移动式破碎站。SKH圆锥破碎机广泛的适用性得益于同一主机结构可以通过更换衬板来获得不同的破碎腔型，因而能够根据破碎流程的

SKH cone crushers are designed to give maximum performance in a wide variety of crushing processes: from secondary to extra fine crushing, and from stationary to highly mobile applications. Full process adaptability is the result of being able to use several different crushing cavities in the same frame structure. This feature ensures that you are always able to adapt your SKH to the crushing process.

国际合作  
Cooperation



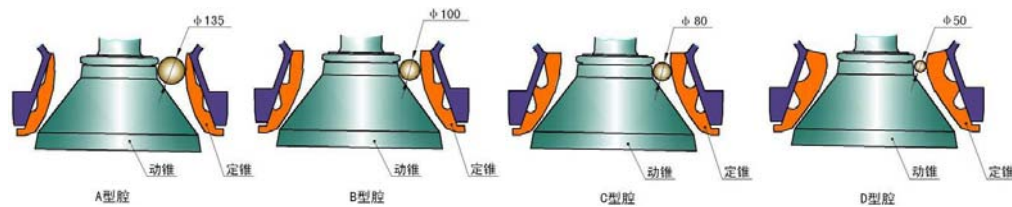
### 产品规格

### Product Specification

### 产品图片

### Product pictures

型号 Model	最大给料尺寸 Max feeding size(mm)	最小排矿口 Minimum discharge size(mm)	电机功率 Motor power (mm)	生产能力(吨/小时)--开路循环, 闭边排料口 Producing capacity(t/h)--Open cycle, closed side discharging size (mm)													
				9	13	16	19	22	26	32	38	22	26	32	38		
SKH75C	160	22-32	75-90						120	130	150						
SKH75M	130	13-26			65	85	100	120	130								
SKH75F	50	9-19		40	60	80	90										
SKH160C	180	22-32	132-160					185	195	215							
SKH160M	140	13-32			90	115	135	160	180	220							
SKH160F	60	9-22		60	80	100	120	140									
SKH240C	260	26-51	160-240						250	290	340	395					
SKH240M	150	16-38				125	140	165	220	275	330						
SKH240F	80	9-22		70	90	115	130	150									
SKH360EC	315	38-64	250-320								555	649	766				
SKH360C	230	26-64							366	430	468	629	657				
SKH360M	205	22-52						266	299	348	393	451					
SKH360F	180	16-38			188	212	234	267	305	337							
SKH440EC	450	38-89	400								890	1179	1380	1475	1566		
SKH440C	350	31-76									800	850	1100	1288	1398		
SKH440M	320	25-63							612	735	815	990	1137				
SKH440F	268	19-52				376	412	500	620	725	867						



现场图片  
Products on site



企业介绍  
Enterprise Introduction

上海山启机械制造有限公司是中国知名的破碎筛分设备制造商。我们为客户提供全系列破碎筛分设备，包括圆锥破碎机、反击式破碎机、立轴冲击破碎机(制砂机)、移动式破碎站和振动筛，我们不仅为客户提供高性价比的产品，还提供一流的服务支持及解决方案。我们的破碎设备在大量的基础建设工程中得到应用，另外，成套设备已出口到俄罗斯、蒙古、中亚、非洲等国家和地区。

公司拥有多名国内破碎筛分的专家，具有强大的新产品研发能力。公司非常重视国际技术交流与合作，先后引进了美国、德国、澳大利亚等国家的先进技术和工艺，拥有生产设备百余台套。时刻关注新产品、新技术的研发，并成立了砂石机器和选矿设备的研究室。



■ ■ 企业介绍  
■ ■ Enterprise Introduction

山启机械 ■ ■  
Shunky Machinery ■ ■

Shanghai Shunky Machinery Co. Ltd is a famous manufacturer of crushing and screening equipments in China. We provide our customers complete crushing plant, including cone crusher, jaw crusher, impact crusher, VSI sand making machine, mobile crusher and vibrating screen. What we provide is not just the high value-added products, but also the first class service team and problems solution suggestions. Our crushers are widely used in the fundamental construction projects. The complete crushing plants are exported to Russia, Mongolia, middle Asia, Africa and other regions around the world.

We have many crusher experts who are capable of new products searching and developing. We pay high attention on the international communication and cooperation and introduced advanced technology from Germany, America and Australia these years. We also have built research room in our company.



专业精神打造臻品·山启机械引领全球

PRODUCE PERFECT PRODUCTS SHUNKY MACHINERY TAKES THE LEAD IN THE WORLD